

# Snorkel

## Wildcat<sup>®</sup> SLH 4084hd

4-wheel drive, 2-wheel brakes, hydraulic outriggers, articulating rear axles and a huge platform are standard features on these rough terrain scissorlifts.



## SPECIFICATIONS

Working Height	46'	14.0 m
Platform Height	40'	12.2 m
Capacity*	750 lbs.	340 kg
Size	6' x 10'	1.8 x 3.0 m
Guardrail Height	43 1/2"	110 cm
Toeboard height	6"	15 cm
Stowed Platform Height	5'0"	1.5 m
Stowed Overall Height	8'6 1/2"	2.6 m
Overall Width	7'0"	2.1 m
Overall Length	12'0"	3.7 m
Wheelbase	7'5"	2.3 m
Turning Radius		
Inside	8'10"	2.7 m
Outside	16'7"	5.1 m
Gradeability		30%
Power Source		Liquid-cooled Gas (Dual Fuel, LP only or Diesel optional)
Fuel Capacity	12 U.S. gal.	45.5 L
Drive Speeds		
High	2.2 mph	3.5 kph
Low	0.4 mph	0.6 kph
Platform Lift Speed		45 sec.
Ground Clearance (approx.)	6 1/2"	17 cm
Tires		26 x 12
Type		Foam filled, 8 ply rating
Weight (approx.)	8,720 lbs	3,955 kg

\*Rated load on roll-out extension deck is 350 lbs (158 kg)

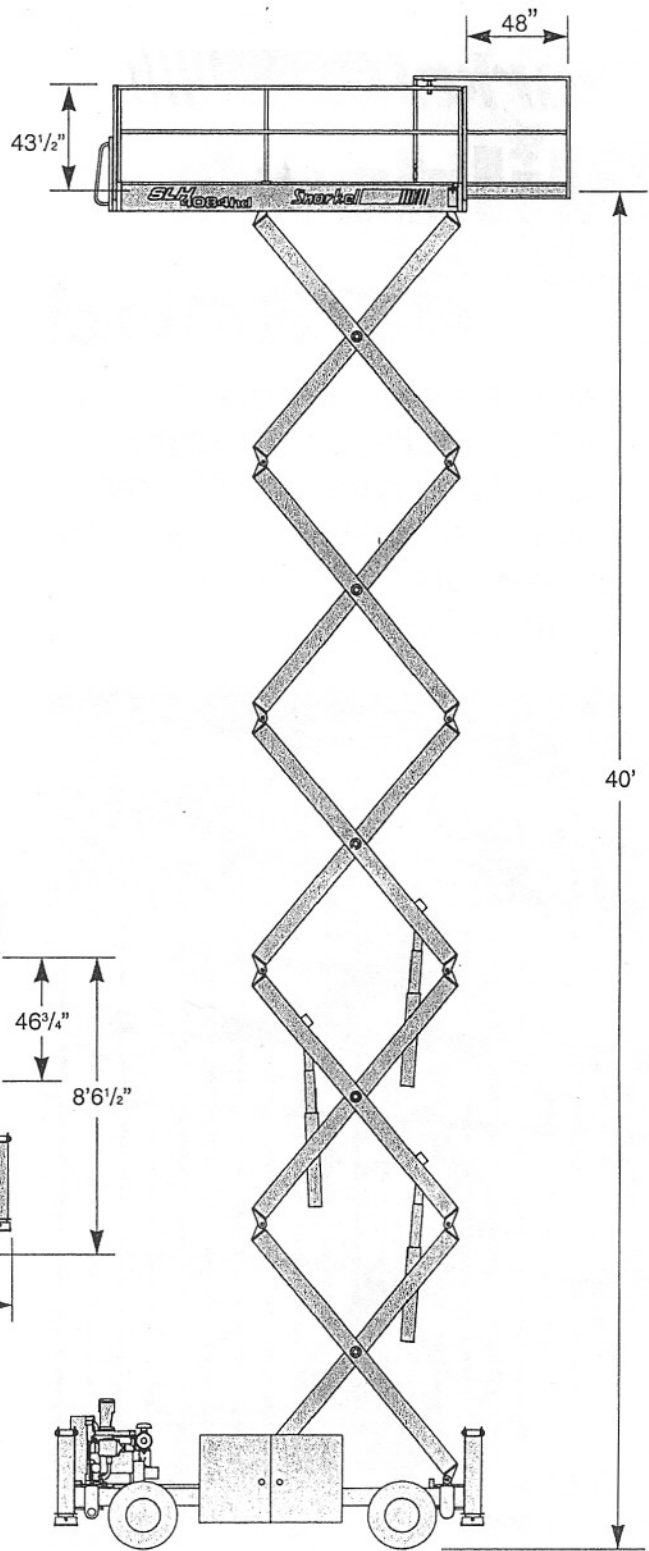
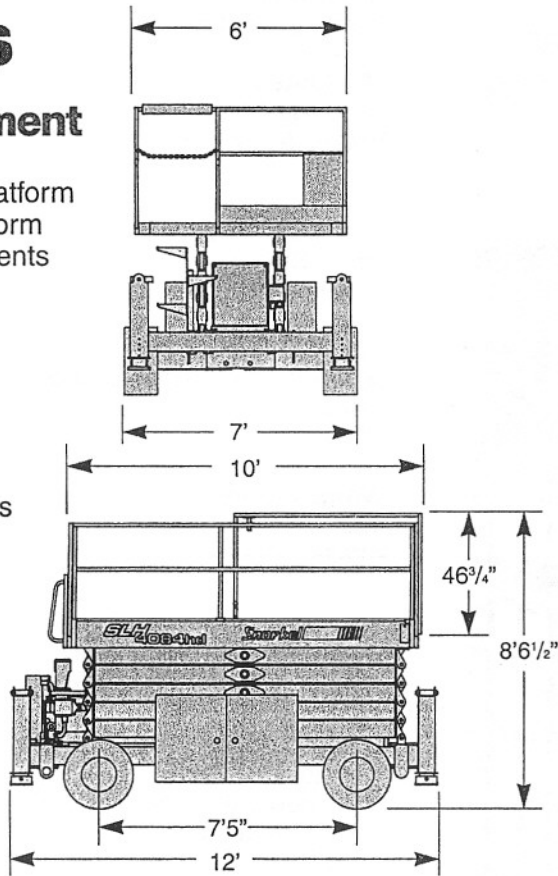
- Liquid-cooled gas engine
- Built-in level sensor interlocks
- 4' roll-out extension
- Joystick control on removable control console
- Hand operated safety control
- Responsive center pivot type steering
- Fully proportional ramp-on controls for drive and lift
- Manual bleed down valve
- Articulating rear axle
- 4-wheel drive system
- 2-wheel parking brakes
- Driveable up to 32' (9.8 m)
- Drive motion alarm
- Hydraulic outriggers (independently operated)
- Side trays for batteries, electronics and hydraulics
- Foam filled tires
- Hour meter, coolant temperature gauges and ammeter
- 60 month warranty

# Snorkel

# Wildcat<sup>®</sup> SLH 4084hd Rough Terrain Scissors

## Optional Equipment

- Swinging gate
- 110 volt AC outlet at platform
- GFCI AC outlet at platform
- D-ring lanyard attachments
- Operator horn
- Flashing light
- AC generator (hydraulic powered)
- Dual fuel or LP only
- Liquid-cooled diesel engine
- Big Paw pneumatic tires
- Spark arrestor muffler



**DANGER:** Models described in this brochure are NON-INSULATED and do not provide electrocution protection from contact with or close proximity to energized conductors which is pointed out on decals and placards attached to the machine.

Only qualified and trained operators are to be authorized to use and operate a work platform.

Aerial work platforms must be elevated only on firm, level surface.

Products in this brochure comply with applicable ANSI Standards. This literature is for illustrative purposes only. Consult Operating/Maintenance and Parts Manuals for proper procedures. Specifications may vary and are subject to change without notice or obligation.

# Snorkel

P.O. Box 4065, St. Joseph MO 64504-0065  
Phone: (816) 364-0317  
Fax: (816) 364-0380