

# H18 SDX

Rough-terrain  
**scissor  
lift**

- 1.320 lb (600 kg) lift capacity
- 45% gradeability
- 20 ft x 6 ft (6 m x 1.8 m) platform\*
- Hydraulic levelling jacks

\*with twin extension decks



**Haulotte** 

# H18 SDX

## The Haulotte advantages

- Low stowed platform height 6 ft (1.8m) for easy access.
- 4 wheel drive.
- Hydraulic differential lock for improved rough terrain capability.
- Foam filled tyres standard.
- Safe operation on slopes up to 3° controlled by tilt sensor with automatic operation restrictor.
- Optional twin extension decks for increased workspace.
- Robust, reliable and easy to maintain design.

## STANDARD FEATURES

- 53 ft (16.0 m) platform height
- Hatz silent pack diesel engine
- Full proportional controls
- Hydraulic levelling jacks
- 3° tilt alarm
- 16 ft 2 in x 6 ft (4.92 m x 1.8 m) all steel platform (includes single sliding deck extension)
- 14 in (36 cm) ground clearance for improved rough terrain performance
- 3.7 mph (6 km/h) travel speed
- Narrow turning radius 15 ft 9 in (4.80 m) for better manoeuvrability.
- Relocatable operator's control box
- Work platform overload limiter Increases safety.
- Free wheeling device
- Hourmeter
- Towing hooks
- Hydraulic brakes
- Emergency lowering system

## OPTIONS & ACCESSORIES

- Twin 3 ft 3 in (1 m) sliding desk, 1100 lb (500 kg) capacity.
- Rotating beacon
- Travel alarm
- Catalytic exhaust

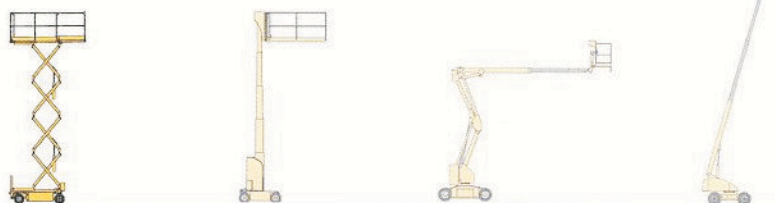
**Haulotte** 

THE HEIGHT OF QUALITY

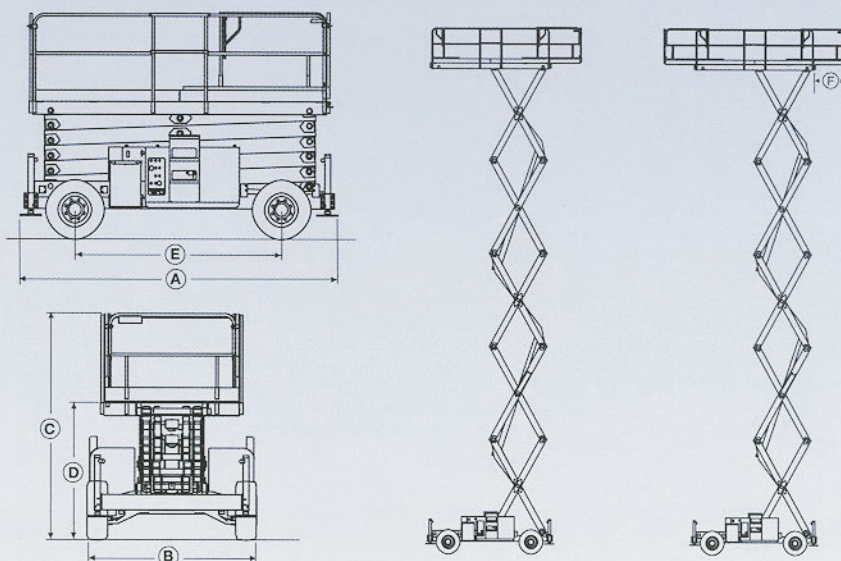
**Pinguely - Haulotte**

World Headquarters

La Péronnière • B.P. 9  
42152 L'HORME • France  
Tel. +33 (0)4 77 29 24 24  
Fax +33 (0)4 77 29 43 95  
E-Mail : haulotte@haulotte.com  
Web : http://www.haulotte.com



## ROUGH-TERRAIN SCISSOR LIFT



## SPECIFICATIONS

	Imperial	Metric
Working Height	59'	18.0 m
Platform Height	53'	16.0 m
Platform Capacity	1.320 lb	600 kg
Ⓐ Length	13' 6"	4.12 m
Ⓑ Width	7' 5"	2.25 m
Ⓒ Height stowed (guardrails)	9'	2.97 m
Ⓓ Height stowed (platform)	6'	1.80 m
Ⓔ Wheelbase	9' 1"	2.75 m
Platform size	16' 2" x 6'	4.92 m x 1.8 m
Ⓕ Platform extension	3' 3"	1.00 m
Drive speed	0.7 / 3.7 mph	1.1 / 6 km/h
Outside turning radius	15' 9"	4.80 m
Ground clearance	14"	36 cm
Raise / Lower speed	60 / 60 sec.	
Power source	Diesel 32 hp (23.8 kw)	
Gradeability	45%	
Brakes	Disc - Hydraulic actuated	
Drive	Dual front wheel	
Tyres (Foam Filled)	10 x 16.5	
Hydraulic tank	28 gallons	104 l
Fuel tank	18 gallons	68 l
Weight	15.070 lb	6.850 kg

Distributed by :